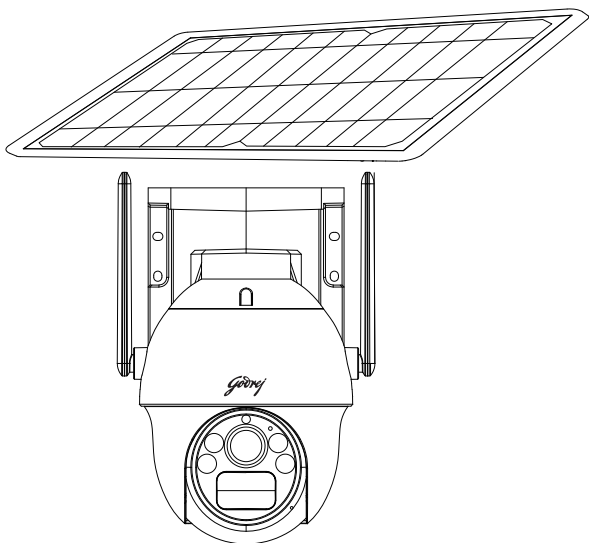


Godrej

Ace Pro Green

Solar Powered Camera



Quick Start Guide

Safety Instructions

Do's



Always use Godrej supplied 7W solar panel only



Only use a Class 10 and above micro-SD card



While inserting/removing the memory card, ensure camera is in power OFF condition



Always recycle your product in an environment friendly way



Always use Micro 4G SIM to make camera online. Godrej ACE Pro green support all 4G SIM in india



Place-install your camera on a steady or firm base surface



Switch off the camera if not in use



Godrej ACE PRO GREEN camera can be use in indoor as well as outdoor environment

Don't's



In case of dust accumulation on lens protection glass, use a dry cloth to clean the surface



Do not rotate PT camera joints manually. Always use the mobile app to adjust camera angles



Do not install camera in front of a bright light

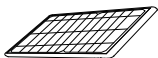


Do not install the camera upside down

Package Content



Dome Camera - 1 no



Solar Panel - 1 no



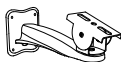
Quick Start Guide



Hoops - 1 no



Mounting Screws

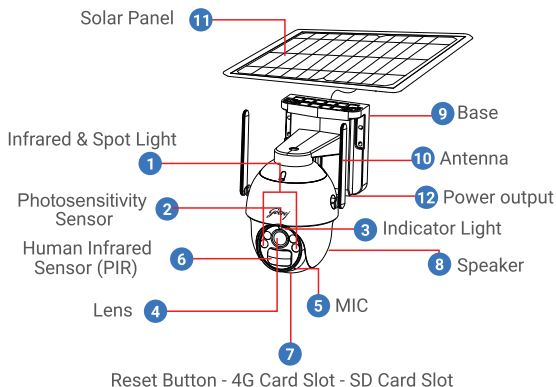


Bracket for solar panel



Iron bracket for mounting camera base

Know your Product



(*Note: Please open the speaker cover when using the reset button / SD cardslot.)

Button Operations

Press the reset button and hold for 10-15 sec in the power-on state: Reset

Note:

- 1 Connect the camera to the solar panel.
- 2 Turn ON the camera switch.

Features & Functions

- 4MP pan/tilt Smart Mini PT 4G Solar Camera
- Horizontal rotation of 350 degrees, vertical rotation of 90 degrees
- Built-in high-sensitivity MIC and speaker, support two-way audio
- With white light and infrared light, support Two night vision mode : B/W mode, full color mode
- Support human detection. The device can turn on white light when someone into the monitoring area. And the real-time alarm push information is sent on Godrej ACE mobile app
- Motion Tracking. When a human figure is detected will start tracking Automatically
- Built-in Siren. Siren will be trigger when human movement is detected. The voice of the siren can be customized.
- Built-in PIR Sensor
- Built-In Battery 18000mAh Rechargeable lithium battery, With 7W Solar Panel
- Unique With All-Time-Color vision
- Support Micro SD Card Up to 256GB (Micro SD card is not part of package)
- 4G connection, scan the QR code to easily connect the camera
- Support monitoring : Pc client as Godrej ACE/Mobile via Godrej ACE app
- IP66 Waterproof Rating, 4000 Lightning Protection

Note: Company reserves the right to change into the Features/specifications of product without notice.

Product Specifications

- Image sensor :1/2.8" CMOS sensor
- Resolution: 4MP:2560 x 1440
- Lens: 4mm @ F2.0, View angle: Horizontal 88.9° , Vertical 47.5°
- Infrared LED: 4 LED
- Infrared IR Distance: 30Mtr
- White LED: 4LED
- White LED Distance: 20Mtr
- Video Encode Stream: Main stream :2304x1296/15FPS; Substream:640x360 / 15FPS
- Audio Input / Output: Supports two-way audio, built-in microphone and speaker
- WDR: Support DWDR
- PIR Detection: 8-10 Meter
- 4G frequency band: FDD-LTE: B1/ B3/ B5/ B8; TDD-LTE: B34/B38/B39/B40/ B41
- Alarm:1) Motion Detection, Alarm Picture Push notification 2) Human Detection
- Solar panel : 7W
- Rechargeable Battery: Built-In Rechargeable 18000mAh Battery
- Power input: Type-C DC 5V-2A
- Working temperature: 0~50°C RH Less than 95% (No condensation)
- Housing type: Plastic [IP66]
- Dimensions: 132 x 191 x 170mm (WxHxL)
- Net weight: 0.723kg
- Gross weight: 0.978kg

LED Indication Details

- Green light flashes for 2Sec. and turns off: The device is powered on and connecting to the network.
- Green light + Red light is always on (Amber Light): The camera is being previewed remotely (Privacy light)
- Green light is always on: The device is connected to the network or awakened
- Green light flashes continuously : Upgrading
- Green light flashes continuously and slowly : When Camera in Stand by Mode & Charging
- The LED light is always OFF : On Stand-by

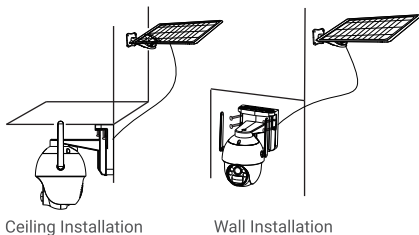
Process to Reset the Camera

To reset the camera, Press the reset button and hold for 10-15 sec in the power-on state till you heard acknowledgement from camera.

Mounting

1. Camera installation - Use the installation positioning guide sticker to make holes in the wall. Use the plastic plugs for cement walls and install the camera.

2. Solar holder installation - Appropriately install the solar panel outdoors using the metal stand only and connect the same to the camera.

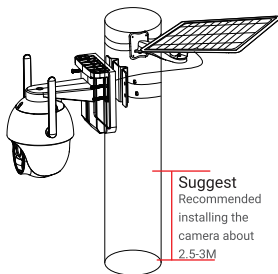


3. The pole installation

1. Fix the metal plate behind the battery compartment of the camera using the screws provided.

2. Install the camera on the pole using the metal holding hoop.

3. Similarly install the solar panel in the appropriate direction to the pole using the metal holding hoop.



Note: PIR is sensitive to hot and cold disturbances

- Avoid installing the camera where the air flow is agitated. For eg: the air outlet of the air conditioner, the heat dissipation port of the equipment, the side of the fan, the vicinity of the curtain, etc. Please do not install the camera in front of the glass or mirror. The height of the camera installation should be 2.5M-3M, the best distance of PIR trigger.

Godrej Ace Pro App and Website

To setup your camera's, download the Godrej ACE application and signup. The app will guide you through the rest. You can view the camera feed using Godrej ACE Mobile application or by login into Godrej ACE CMS via your windows desktop.



Warranty

To avail warranty, please call our customer care number: **1800-209-5511** and produce the invoice details.

Note

We advise buying our products from authorized sellers. Warranty will be void and service will not be provided for products purchased through unauthorized sellers.

Customer shall adhere to all safety norms while installing and operating the product. The company shall not be liable for any damage, personal injury or death caused to the customer or any third party due to the negligence on the part of the customer or such third party, committed by way of improper installation, usage or handling of the product, which is not in accordance with the instructions provided by the company.

Not covered in warranty

Any damage resulting from mishandling or improper usage or lack of maintenance. Gas leakage, fire, burglary, accident, dropping, excessive shock, acts of nature, loss of components or accessories, replacement/ repair by anyone other than authorized personnel, consumable parts like lights, batteries, plastic parts and accessories.

Under any circumstances company will not be liable for any damage caused due to power fluctuations / surges, excessive power supply voltage or improper earthing.

Disclaimer

Since the product is an IP based CCTV equipment, the use of the product shall be wholly at your own risk. Godrej & Boyce Mfg Co Ltd will take all reasonable security practices to prevent unauthorised access, damage, misuse or modification of the data stored in the servers in India. Godrej & Boyce Mfg Co Ltd shall not take any responsibility for abnormal operation, privacy leakage or other damages resulting from cyber-attack, hacker attack, virus attack or other internet security risks. However, Godrej & Boyce Mfg Co Ltd will provide timely technical support if required and asked for. In no event will Godrej & Boyce Mfg Co Ltd, its directors officers, employees or agents are liable to you for any consequential , incidental or indirect damages, including among others , damages for loss of business profits , business interruption or loss, damage corruption, recovery of data or documentation , in connection with the use of this product, even if Godrej & Boyce Mfg Co Ltd has been advised of the possibility of such damages.

Godrej & Boyce Mfg Co Ltd disclaims all liabilities connected with and damages arising out of situations wherein the suggested default Passwords or Usernames of all devices like Wi-Fi router to which camera is connected, Camera default password etc, are not changed from their factory default values.

Godrej & Boyce Mfg Co Ltd disclaims camera functionality when android or iOS upgrade their versions. Customer need to upgrade or buy a new camera hardware for availing new features of android / iOS. Under no circumstances Godrej & Boyce Mfg Co Ltd will replace the camera.

Under no circumstances Godrej will take onus to retrieve camera video recordings on cloud or on SD card. Godrej disclaims onus to retrieve cloud or SD card recording.

Important Instructions

- It is advised to power off the camera when not in use to ensure complete privacy. Godrej & Boyce will not be responsible for any unintended recording captured if the camera is powered on.
- All passwords associated directly and indirectly with the functioning of the Wi-Fi Camera system like Wi-Fi router password, Mobile Phone password, Godrej ACE app account password etc must be changed regularly and kept private.
- Do not share your Godrej ACE app account password with anyone.

INFORMATION ON E-WASTE HANDLING AND MANAGEMENT

Dear Customer,

The Ministry of Environment and Forests have published The E-waste (Management and Handling) Rules 2010 which comes in effect from 1st May 2012.

E-waste is defined as any electrical or electronic component of products in whole or in part, or rejects from their manufacturing or repair process which are intended to be discarded.

These rules apply to every producer; consumer or bulk consumer involved in the manufacture, sale, and purchase and processing of electrical and electronic equipment or components as specified in Schedule 1 (please refer to our website www.godrej.com under the 'Green Think' sec of Godrej Security Solutions Division Page for more details).

Under these rules, specific roles and responsibilities are defined for producers, consumers and recycles handling and managing e-waste.

E-waste is to be managed in an environmentally sound manner which means, taking steps to ensure that health and environment are protected from adverse effects of hazardous substance contained in such wastes.

Rule 6 of the E-waste (Management and Handling) Rules 2010 states that bulk consumers of electrical and electronic equipment shall be responsible for recycling of the e-waste generated by them. Bulk consumer means bulk users of electronic and electrical equipment such as Central Government or State Government Departments, public sector undertakings, banks, educational institutions, multinational organisations, and international agencies, private companies that are registered under the Factories Act, 1948 and Companies Act, 1956. The bulk consumers have to ensure that the e-waste generated by them is channelised to authorised collection centres or is taken back by the producers. They shall maintain records of e-waste generated by them in Form 2 and make such records available for scrutiny by the State Pollution Control or the Pollution Control Committee concerned.

All consumers of electrical and electronic equipment irrespective of their status as bulk consumers or not, shall ensure that e-waste generated by them is channelized to authorized collection centres (s) or registered dismantler(s), or recycler(s) or is returned to the pick-up/take back services provided by the producers. (Please refer to our website www.godrej.com under the 'Green Think' sec of Godrej Security Solutions Division Page for more details).

All our products intended to be recycled under the category of e-waste (as defined above) carry a label or stamp of the WEEE symbol (A wheelie bin with a cross), which states that it falls under the hazardous waste category and is not to be disposed of along with normal garbage.

We seek your support in ensuring environmentally sound management of e-waste and aid us in sustaining our earth's natural resources and maintaining the earth's green cover intact for the benefit of our future generations.



Record of Purchase

Please fill your details below for future reference:

Date of Purchase: _____

Product Model: _____

Name & Address of Distributor/Dealer: _____

Distributor Phone Number: _____

FOR SAFETY, PLEASE READ THIS MANUAL PRIOR TO USE.

Godrej & Boyce Mfg. Co. Ltd., Godrej Security Solutions

Regd. Office: Plant No. 17, Pirojshanagar, Vikhroli, Mumbai - 400079

Toll Free No.: 1800 209 9955 (Sales & Service)

Whatsapp: +91 9321665511 (Service)

Email: secure@godrej.com (Sales), secare@godrej.com (Service)

To know more about product and services please visit: www.godrej.com/godrej-security-solutions

Follow us: www.facebook.com/GodrejSecure | www.twitter.com/godrejsecure

In view of the Godrej policy of continuous development and improvement, the dimensions and specifications may be changed without prior notice or obligation. The colours of the product in the leaflet may not match the actual colours due to printing limitations.

ISO 9001:2015, ISO 14001:2015, ISO 45001:2018

Products Marketed and Serviced by Godrej and Boyce Mfg. Co. Ltd.



R-71019461



PAP

